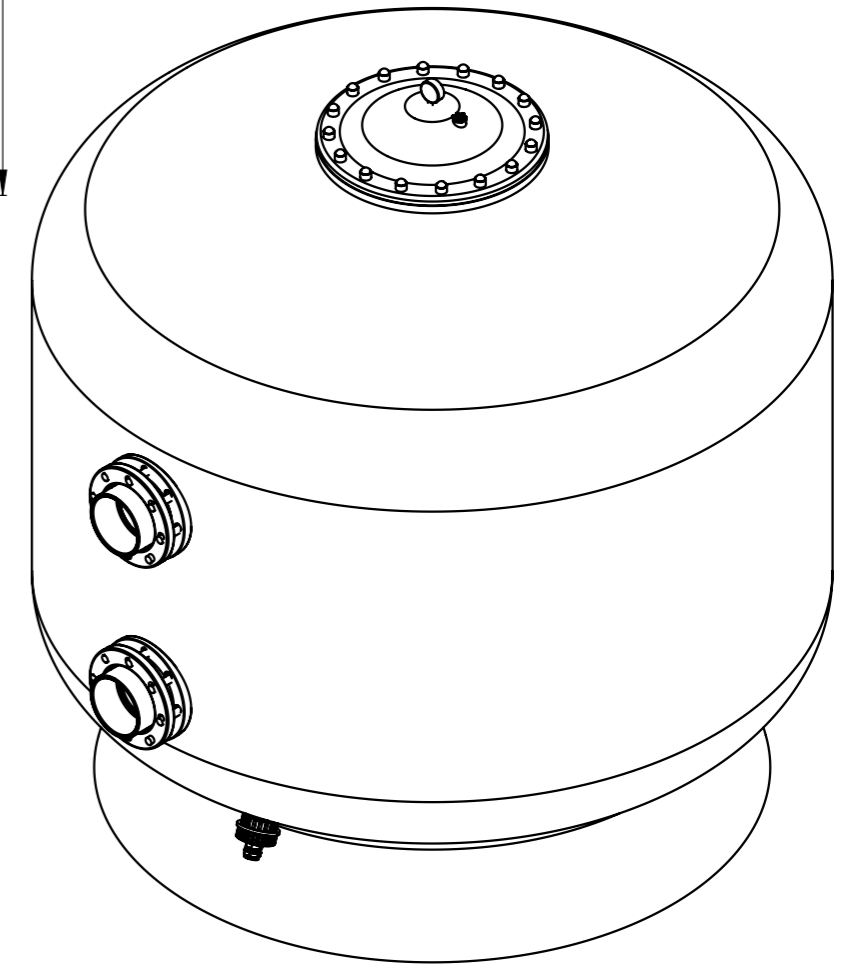


MODEL : Turbidron Bobin Sargılı - 1800	PRODUCT CODE : 021720
FILTRATION AREA : 2,54 m <sup>2</sup>	FILTER DIAMETER : 1800 mm
VOLUME : 3200 L	FILTRATION MEDIA : 0,4 - 0,8 mm
OPERATION PRESSURE : 2,5 kg/cm <sup>2</sup>	TEST PRESSURE : 4 kg/cm <sup>2</sup>
FLOW RATE : 127 m <sup>3</sup> /h	FILTRATION RATE : 50 m <sup>3</sup> /h/m <sup>2</sup>
PRODUCT YEAR :	PERMISSIBLE TEMPERATURE : 40°C
COLOR CODE :	CUSTOMER NAME :
SİPARİŞ NUMARASI :	



Rev. No / Rev. No	Rev. Tarihi / Rev. Date	Revizyon Notu / Revision Note	Rev.Ad-Soyad / Rev.Name-Surname	İmza / Signature
Revizyon / Revision	Tarihi / Date	Ad-Soyad / Name-Surname	İmza / Signature	Ağırlık (gr) / Weight (gr)
İzlen / Designed By	12.11.2024	MELTEM KILIÇ		Ham / Rav
Denetleme / Inspection By	...	ERCAN CENGİZ		İtem / Net
Kontrol / Checked By	...	İBRAHİM KAYA		Yoğunluk g/cm <sup>3</sup>
Onay / Aproved By	...	İBRAHİM KAYA		...
Çizim / Scale: 1/18	Parça Adı / Part Name	Turbidron Bobin Sargılı Kum Filtre D.1800		Malzeme / Metarial
				...
				Numune Gözetim / ...
				Stok Kodu / Stock No
				021720
				Form / Form
				A3

